

# SS SUBMERSIBLE PUMPS

50Hz Catalogue

---



PUMPS | PIPES | CABLES | SOLAR PUMPS

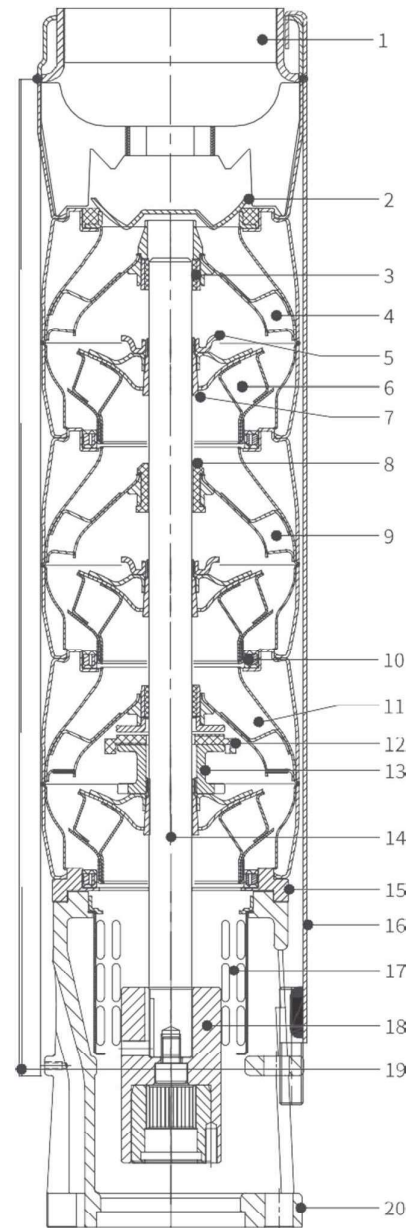


# 6"

## C6PSF46 & C6PSF60 SERIES PUMP DESIGN

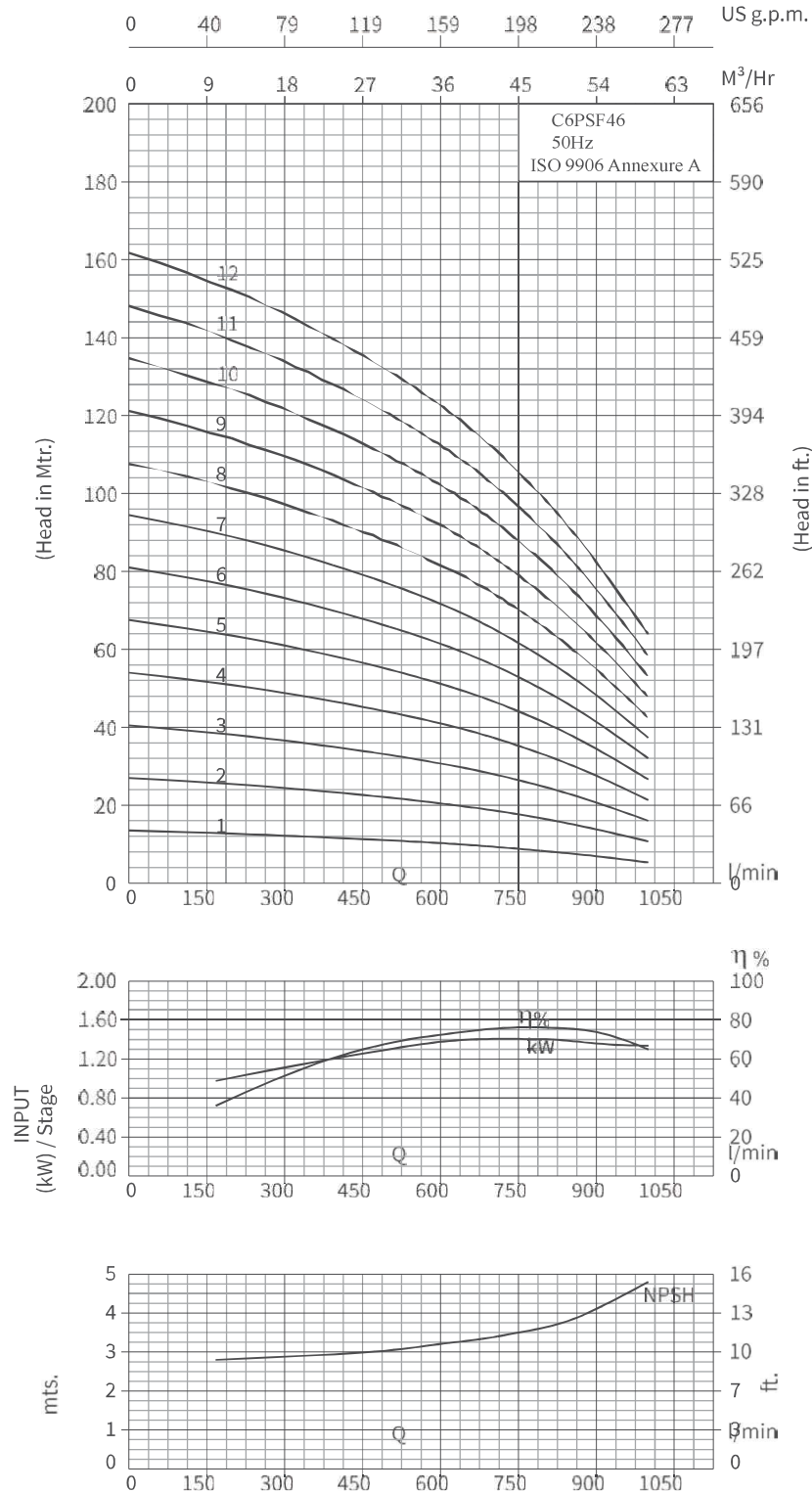
### Material specification

No.	PART NAME	MATERIAL
1	N.R.V. 4.0"	S.S AISI 304
2	VALVE	S.S AISI 304
3	TOP & FIRST BEARING BUSH	N.B.R. + S.S AISI 304
4	INTERMEDIATE CHAMBER TOP	S.S AISI 304
5	COLLET NUT	S.S AISI 304
6	IMPELLER	S.S AISI 304
7	COLLET	S.S AISI 304
8	BEARING BUSH	NBR
9	INTERMEDIATE CHAMBER STAGE	S.S AISI 304
10	NECKRING	N.B.R. + NYLON
11	INTERMEDIATE CHAMBER 1st	S.S AISI 304
12	SPACING WASHER	25% CFT
13	FIRST STAGE NUT	S.S AISI 304
14	PUMP SHAFT	S.S. AISI 431
15	CONNECTOR	S.S AISI 304
16	CLAMPING STRIP	S.S AISI 304
17	STRAINER	S.S AISI 304
18	NEMA COUPLING	S.S AISI 304
19	CABLE GUARD	S.S AISI 304
20	SUCTION	S.S AISI 304



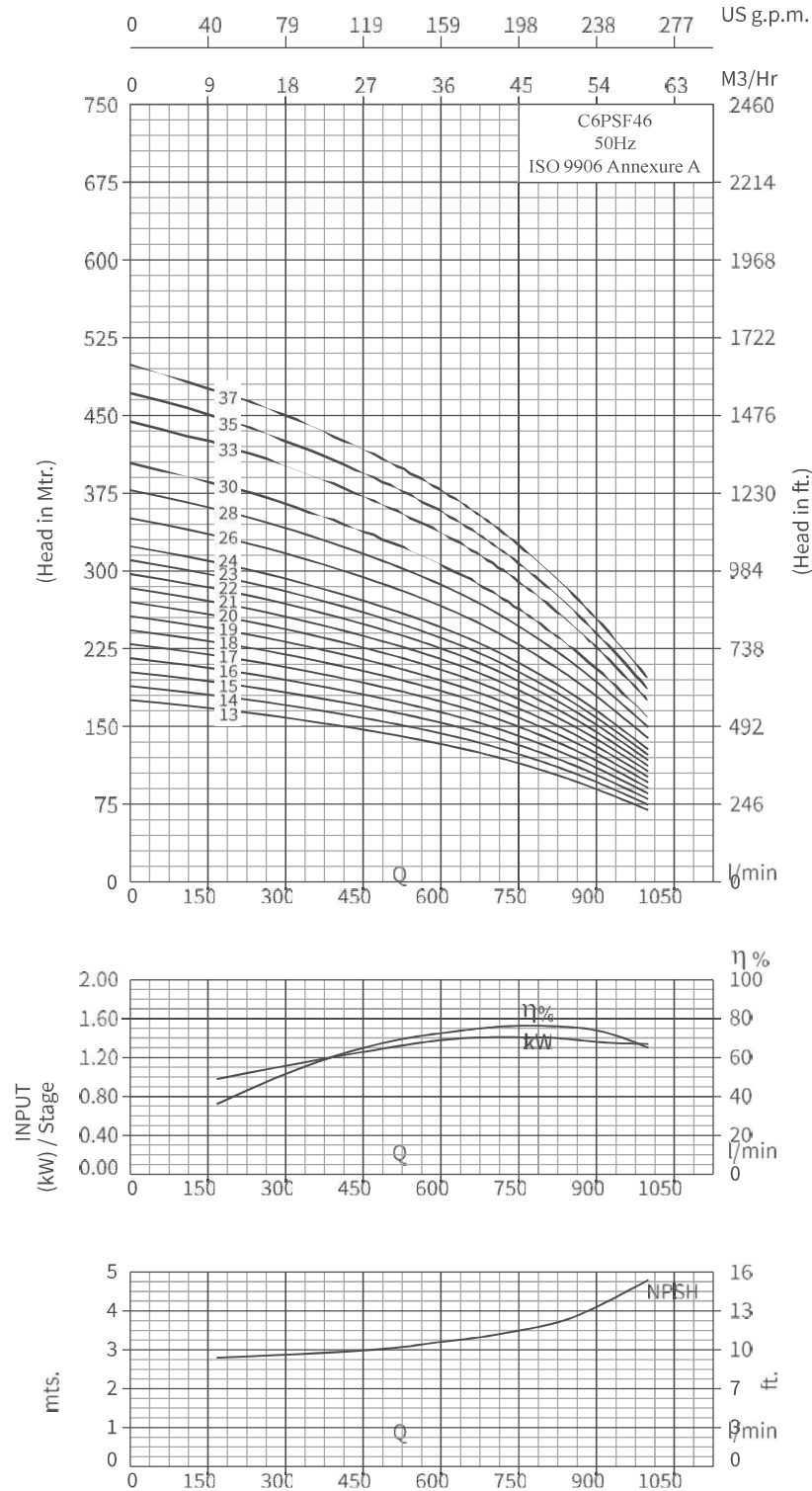
# C6PSF46, 50Hz

ISO 9906 Annexure A



# C6PSF46, 50Hz

ISO 9906 Annexure A



# C6PSF46, 50Hz

ISO 9906 Annexure A

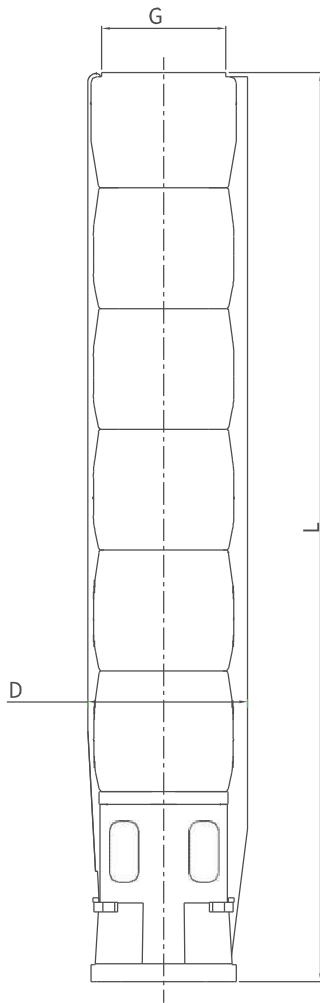
kW	HP	Stage	Motor Joinings	Outlet Size	m <sup>3</sup> /h lpm	Discharge				
						0	24	36	48	60
						0	400	600	800	1000
1.1	1.5	1-B	V-6	4"BSP	9	8	7	4	1	
2.2	3	1	V-6	4"BSP	13	11	10	8	5	
2.2	3	2-BB	V-6	4"BSP	19	16	14	9	1	
3	4	2	V-6	4"BSP	27	23	20	16	10	
3.7	5	3-C	V-6	4"BSP	36	30	26	24	10	
5.5	7.5	3	V-6	4"BSP	40	35	30	27	15	
5.5	7.5	4-C	V-6	4"BSP	49	42	36	32	15	
7.5	10	4	V-6	4"BSP	54	46	40	41	20	
7.5	10	5	V-6	4"BSP	67	58	50	49	25	
9.3	12.5	6	V-6	4"BSP	80	70	60	57	30	
11	15	7	V-6	4"BSP	94	81	70	60	35	
11	15	8-C	V-6	4"BSP	103	88	76	65	35	
13	17.5	8	V-6	4"BSP	107	93	80	68	38	
13	17.5	9-C	V-6	4"BSP	116	100	86	73	40	
15	20	9	V-6	4"BSP	121	104	90	81	45	
15	20	10	V-6	4"BSP	134	116	100	89	50	
18.5	25	11	V-6	4"BSP	147	128	110	97	55	
18.5	25	12	V-6	4"BSP	161	139	120	105	60	
22	30	13	V-6	4"BSP	174	151	130	113	65	
22	30	14	V-6	4"BSP	188	162	140	122	70	
22	30	15	V-6	4"BSP	201	174	150	130	75	
26	35	16	V-6	4"BSP	214	186	160	138	80	
26	35	17	V-6	4"BSP	228	197	170	146	85	
30	40	18	V-6	4"BSP	241	209	180	154	90	
30	40	19	V-6	4"BSP	255	220	190	162	95	
30	40	20	V-6	4"BSP	268	232	200	170	100	
37	50	21	V-6	4"BSP	281	244	210	178	105	
37	50	22	V-6	4"BSP	295	255	220	186	110	
37	50	23	V-6	4"BSP	308	267	230	194	115	
37	50	24	V-8	4"BSP	322	278	240	210	120	
45	60	26	V-8	4"BSP	349	301	260	226	130	
45	60	28	V-8	4"BSP	376	324	280	242	140	
45	60	30	V-8	4"BSP	403	347	300	266	150	
55	75	33	V-8	4"BSP	443	382	330	282	165	
55	75	35	V-8	4"BSP	470	405	350	298	175	
63	85	37	V-8	4"BSP	497	428	370		185	

Head in Mtrs.

# C6PSF46, 50Hz

ISO 9906 Annexure A

## Dimensions & Weights



Model Name	Specification			
	D (mm)	L (mm)	Pump Weight Kg.	Weight (incl. pkg.) Kg.
C6PSF46 / 01	147	113	12	14
C6PSF46 / 02	147	509	14	15
C6PSF46 / 03	147	622	16	17
C6PSF46 / 04	147	735	18	21
C6PSF46 / 05	147	848	20	23
C6PSF46 / 06	147	961	18	24
C6PSF46 / 07	147	1074	20	25
C6PSF46 / 08	147	1187	22	28
C6PSF46 / 09	147	1300	24	29
C6PSF46 / 10	147	1413	26	34
C6PSF46 / 11	147	1526	28	36
C6PSF46 / 12	147	1639	32	42
C6PSF46 / 13	147	1752	34	44
C6PSF46 / 14	147	1865	36	46
C6PSF46 / 15	147	1978	38	48
C6PSF46 / 16	147	2091	40	50
C6PSF46 / 17	147	2204	42	52
C6PSF46 / 18	147	2317	44	54
C6PSF46 / 19	147	2430	46	56
C6PSF46 / 20	147	2543	48	58
C6PSF46 / 21	147	2656	55	60
C6PSF46 / 22	147	2769	57	62
C6PSF46 / 23	147	2882	60	65
C6PSF46 / 24	147	2995	62	67

G : Available outlet size 3" & 4"

D:With cable Guard

DP46 -1 to DP46 -5 pumps are also available in 4" Joining.

DP46 -26, DP46 -28, DP46 -30, DP46 -33, DP46 -35

& DP46 -37 pumps are available in 8" Joining with mounted sleeve.