

# SS SUBMERSIBLE PUMPS

50Hz Catalogue

---



PUMPS | PIPES | CABLES | SOLAR PUMPS

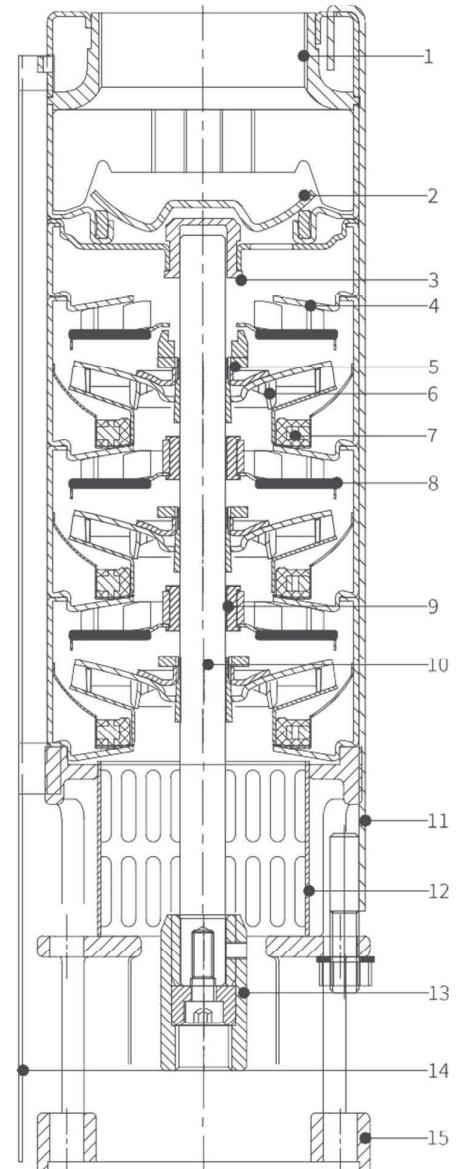


4"

## C4PSF14 SERIES PUMP DESIGN

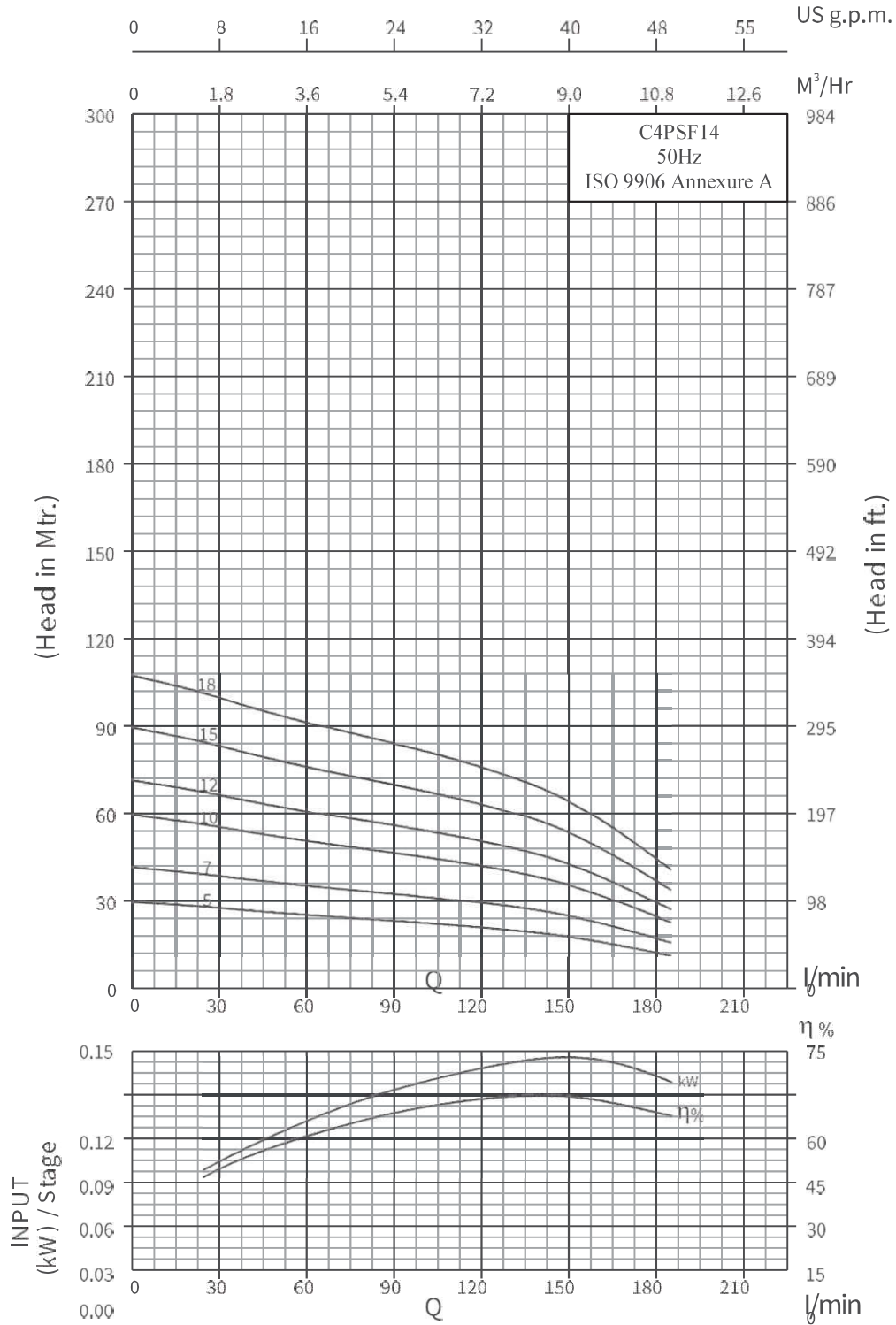
### Material specification

No.	PART NAME	MATERIAL
1	N.R.V. 2.0"	S.S AISI 304
2	VALVE	SS AISI 304
3	TOP BEARING BUSH	N.B.R.
4	TOP DIFFUSER	SS AISI 304
5	COLLET & COLLET NUT	SS AISI 304
6	IMPELLER	SS AISI 304
7	NECKRING	N.B.R. + NYLON
8	DIFFUSER	SS AISI 304
9	BEARING BUSH	N.B.R.
10	PUMP SHAFT	SS AISI 431
11	CLAMPING STRIP	SS AISI 304
12	STRAINER	SS AISI 304
13	NEMA COUPLING	SS AISI 304
14	CABLE GUARD	SS AISI 304
15	SUCTION	SS AISI 304



# C4PSF14, 50Hz

ISO 9906 Annexure A

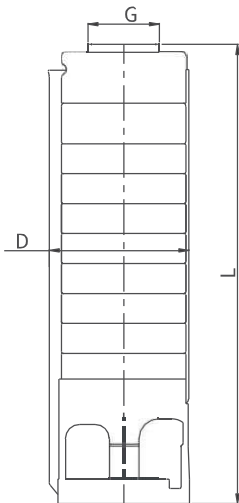


# C4PSF14, 50Hz

ISO 9906 Annexure A

kW	HP	Stage	Motor Joinings	Outlet Size	Discharge						
					m <sup>3</sup> /h	0	6	12	14	15	18
					Ipm	0	100	200	233	250	300
1.5	2	5	V-4	2"	<b>Head in Mtrs.</b>	33	31	26	23	21	13
2.2	3	7	V-4	2"		46	43	36	32	29	18
3	4	10	V-4	2"		66	62	51	46	41	26
4.5	6	13	V-4	2"		86	81	66	60	53	34
5.5	7.5	18	V-4	2"		119	112	92	83	74	47

## Dimensions & Weights



Model Name	Specification			
	D (mm)	L (mm)	Pump Weight Kg.	Weight (incl. pkg.) Kg.
C4PSF14 / 05	98	410	7.2	10.2
C4PSF14 / 07	98	494	7.7	10.7
C4PSF14 / 10	98	620	8.4	11.4
C4PSF14 / 12	98	704	8.9	11.9
C4PSF14 / 15	98	830	9.7	12.7
C4PSF14 / 18	98	956	10.5	13.5

G: Available Outlet Size BSP 2.0"  
 D: With Cable Guard